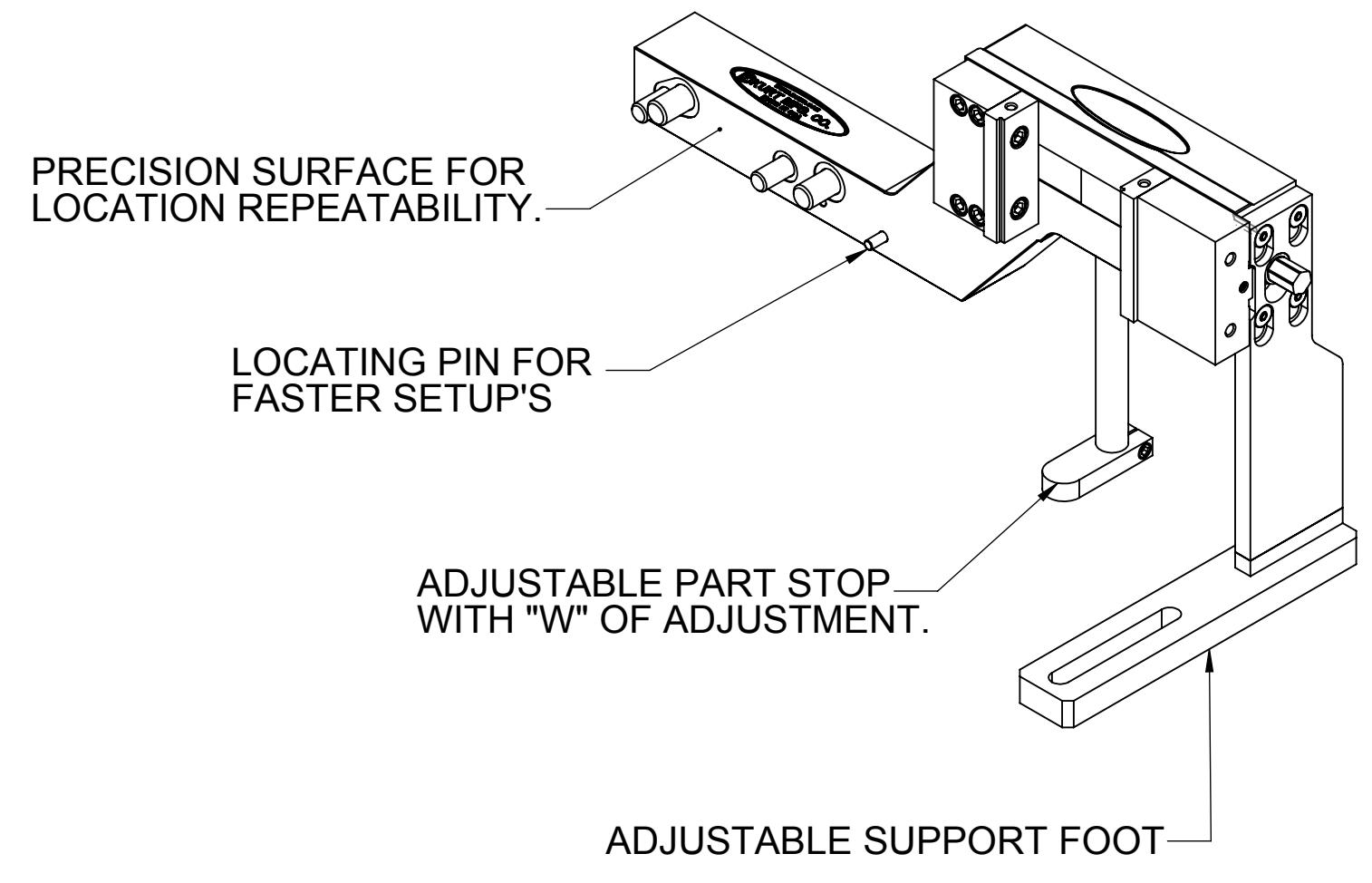
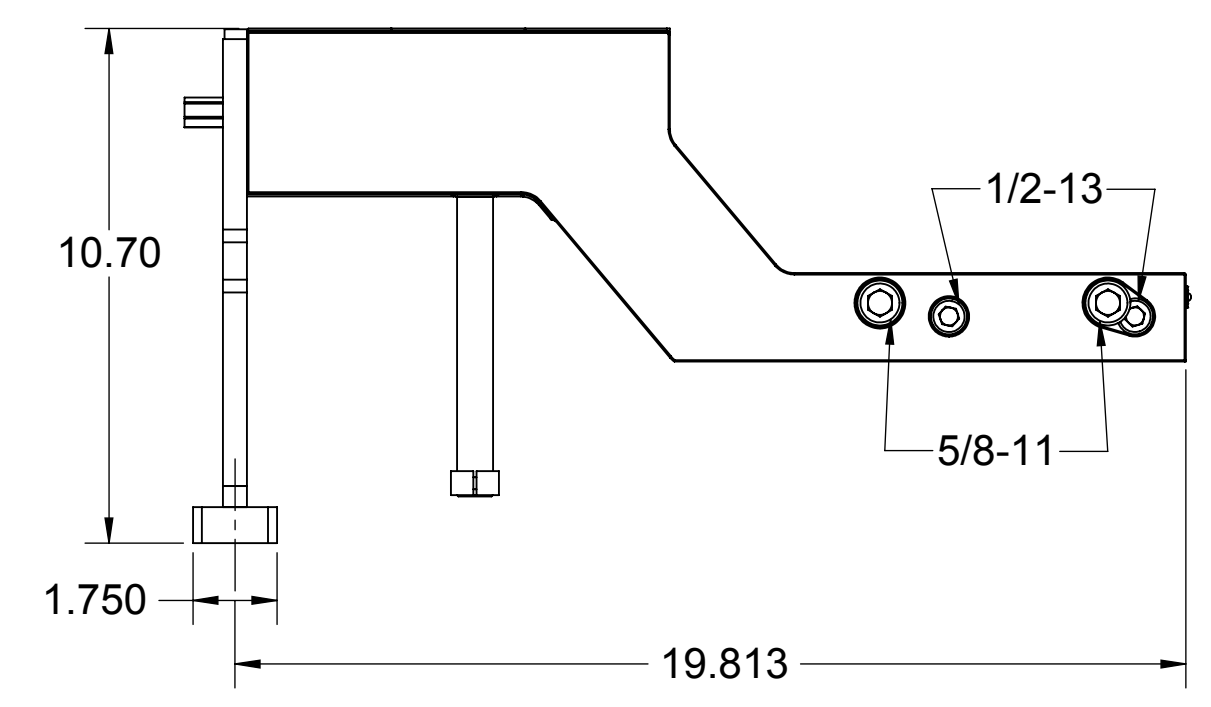
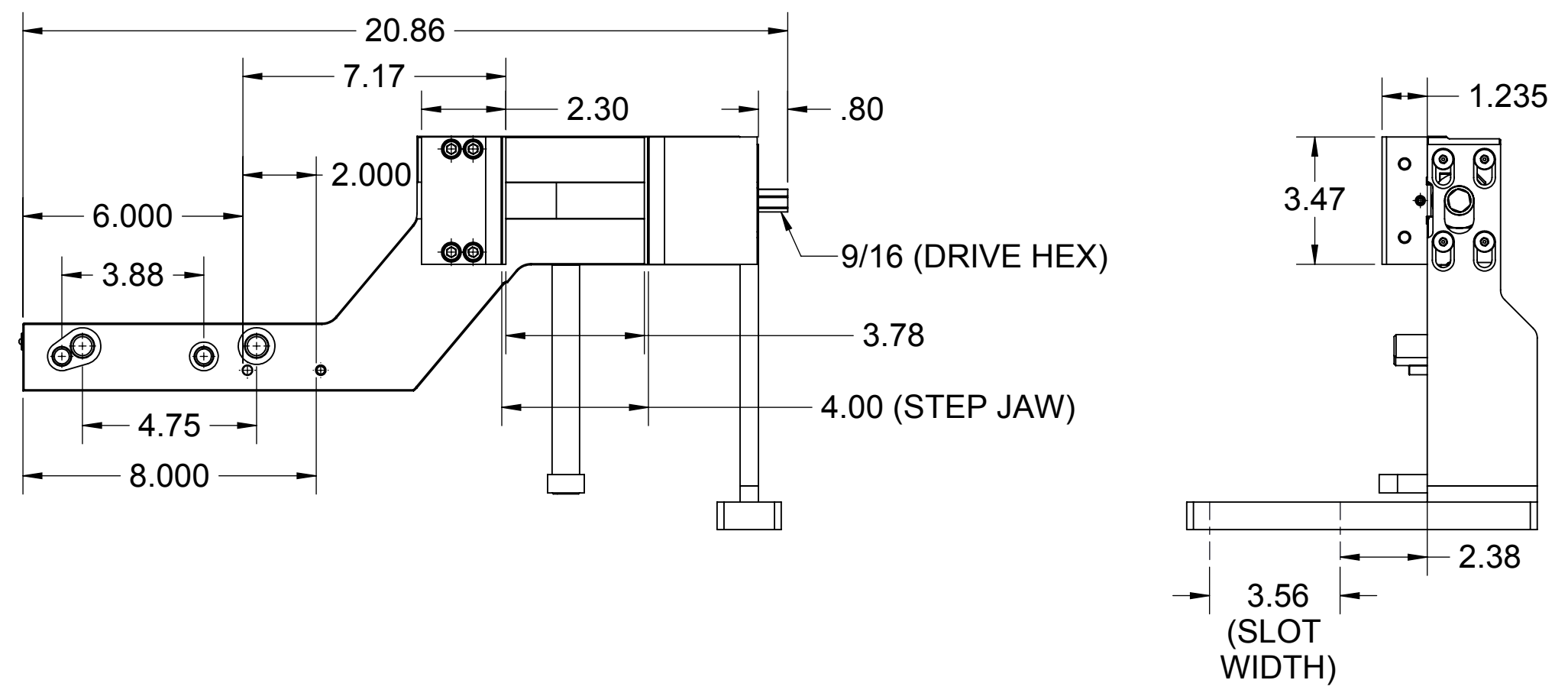


REV	ECN	DESCRIPTION	DATE	BY
A	V3950	RELEASED	12-31-13	DLS



NOTES:  
 HANDLE ASSEMBLY D40I-10-SA (NOT SHOWN)  
 MAX TORQUE 40 FP = CLAMPING FORCE 4000 LBS

 KURT MINNEAPOLIS	<b>WD-</b> TOLERANCES UNLESS NOTED INCHES DECIMAL .X ± .05 .XXXX ± .0005 .XX ± .02 ANGLES ± 1° .XXX ± .005	TOOL NAME <b>SIDEWINDER</b>	MODEL OF TOOL <b>SDW35</b>	
	DESIGNED <b>D.SCHMIDT</b> 12-31-13	TITLE <b>-CATALOG DRWAWINGS</b>	DWG. SIZE <b>C</b>	KURT DWG. NO. <b>XXXXXX</b>
	DETAILED <b>D.SCHMIDT</b> 12-31-13	DESCRIPTION OR MATERIAL <b>-</b>	REVISION LEVEL <b>A</b>	CUSTOMER <b>KURT</b>
	CHECKED <b>-</b>	TOOL NO. <b>-</b>	SCALE <b>1:4</b>	CUST. PART NO. <b>MXF 400</b>
	APPROVED <b>-</b>	SHEET 1 OF 1		