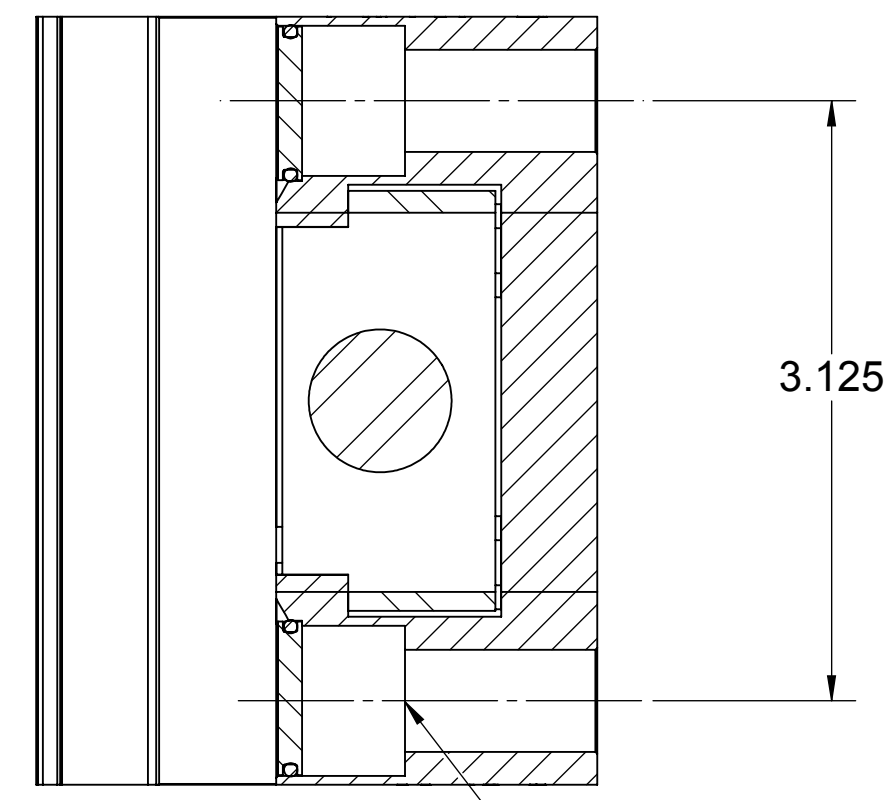
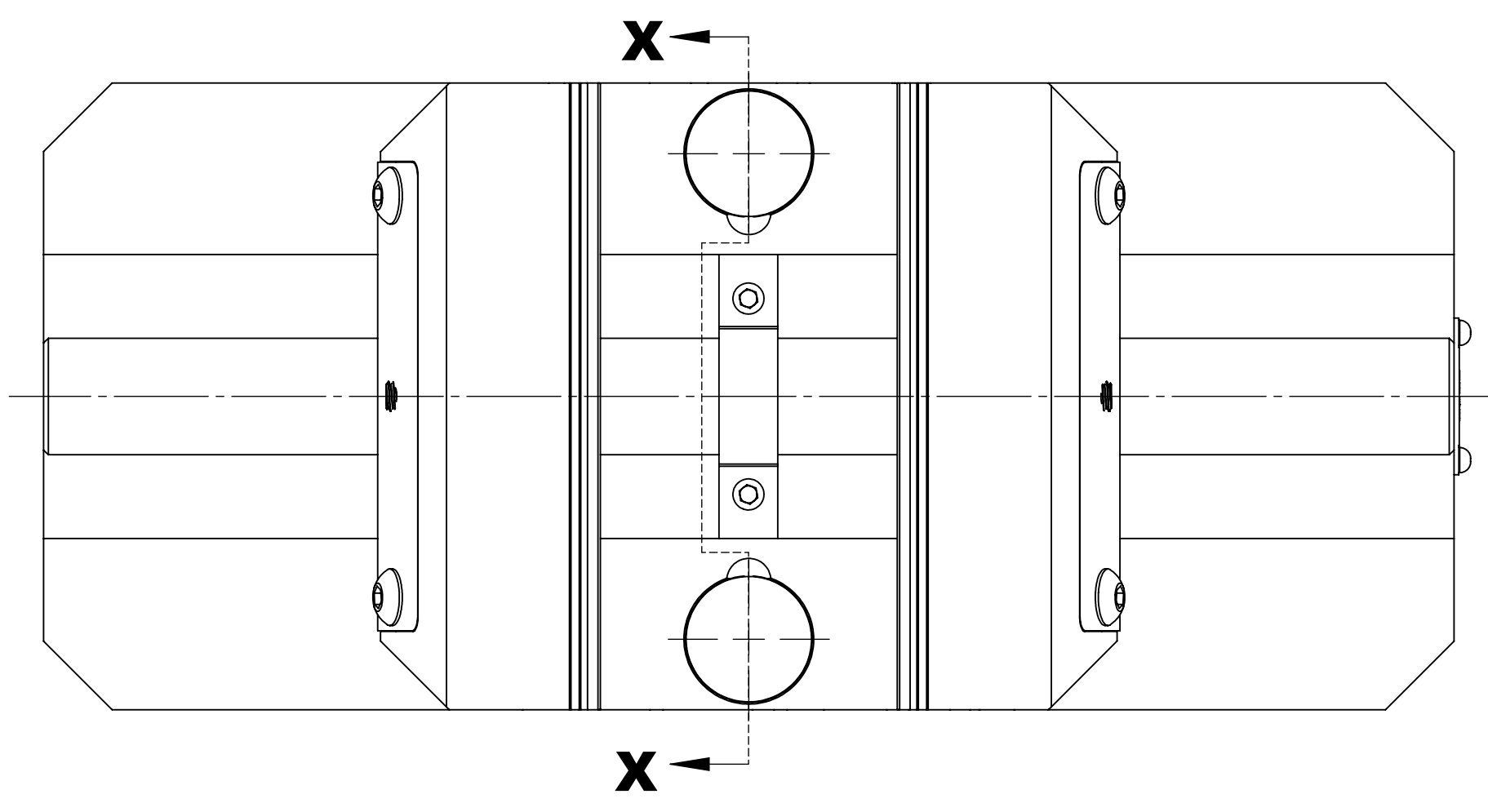
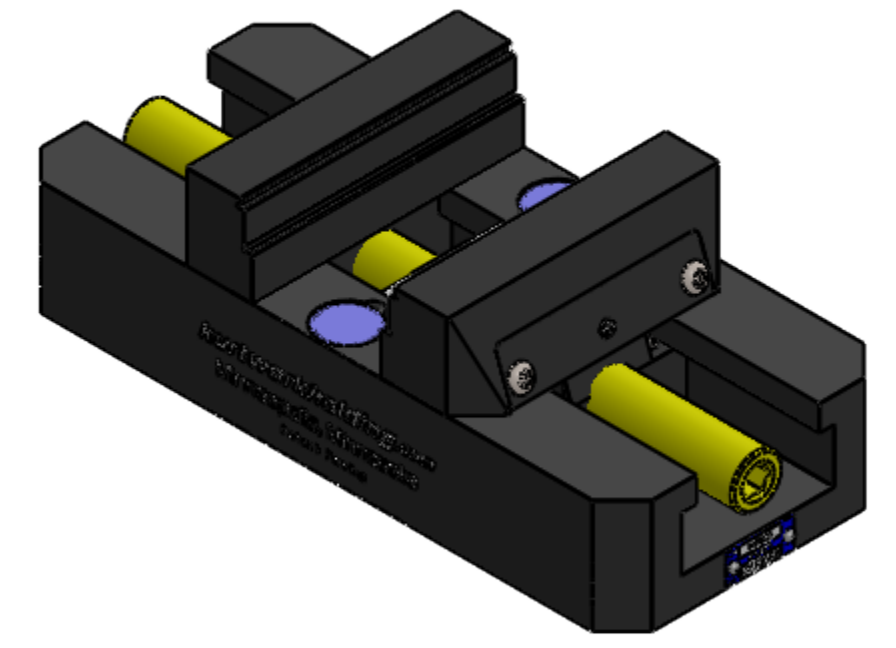


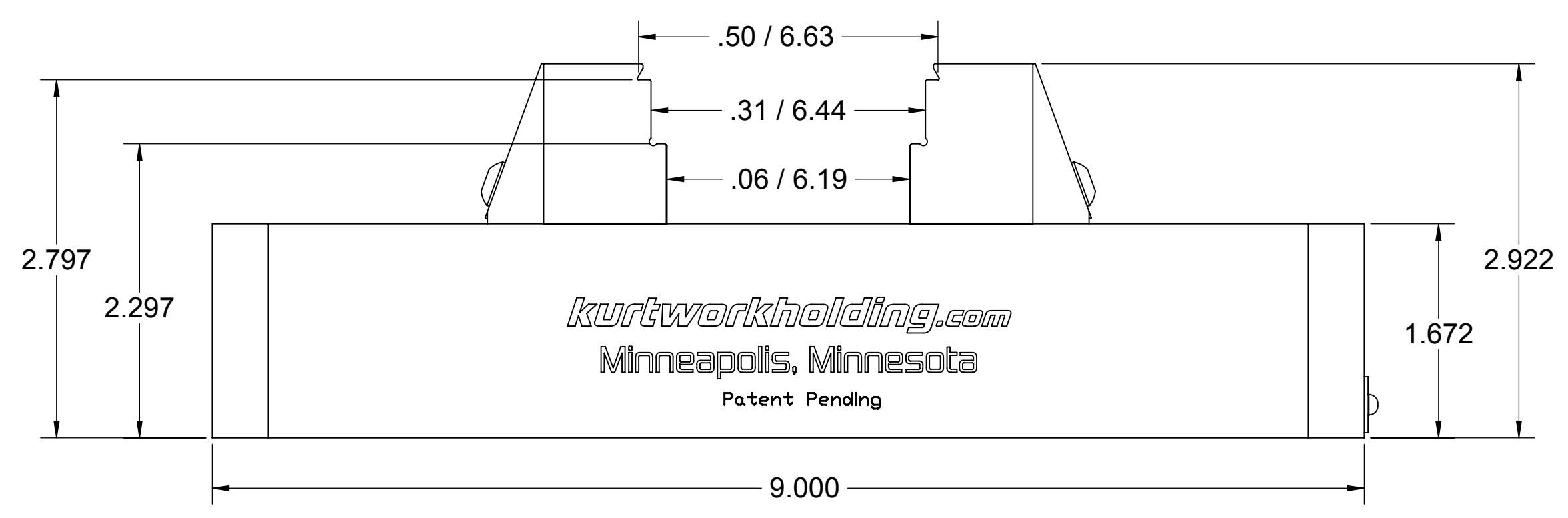
REV	ECO	DESCRIPTION	DATE	BY
A	V4110	RELEASED	7-29-16	DLS



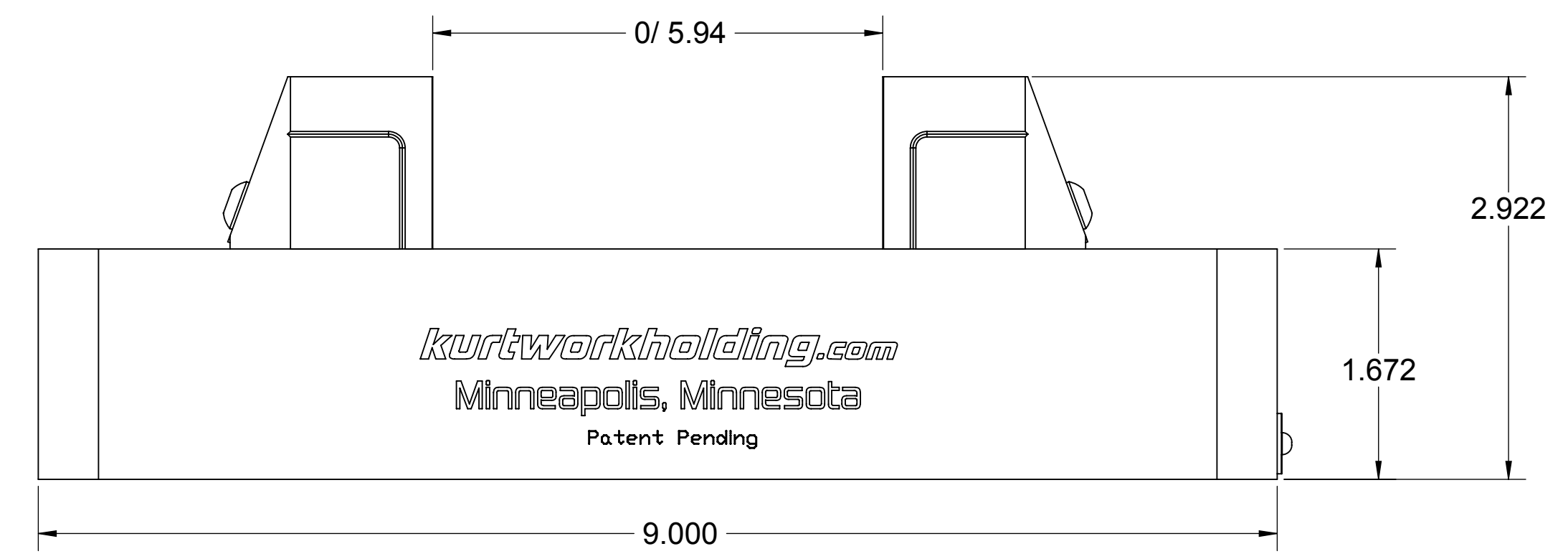
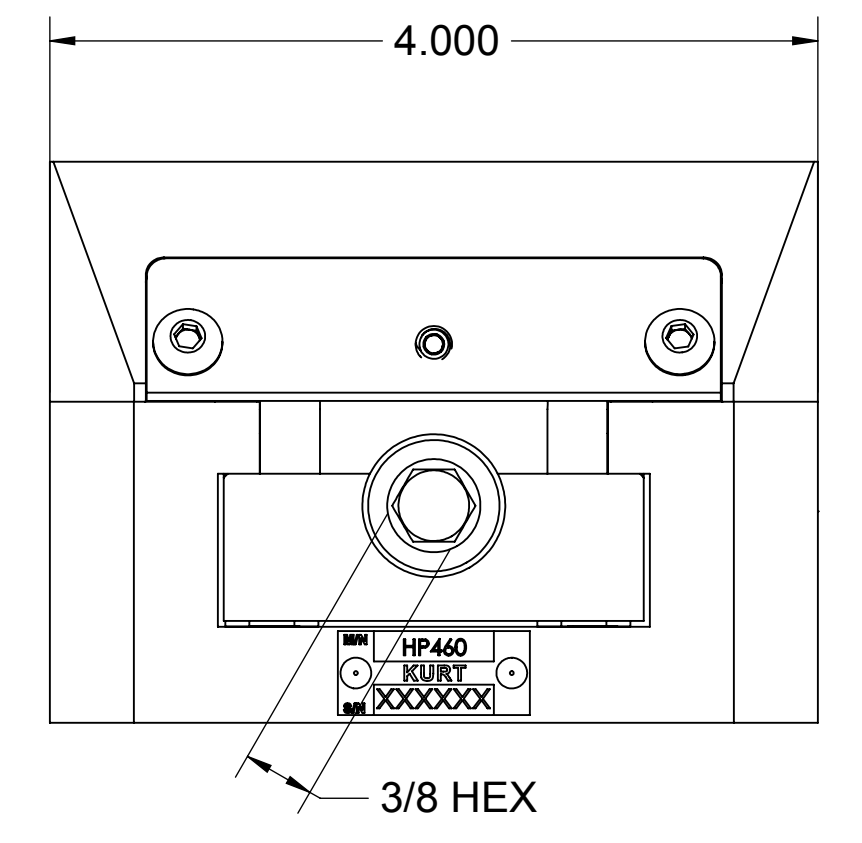
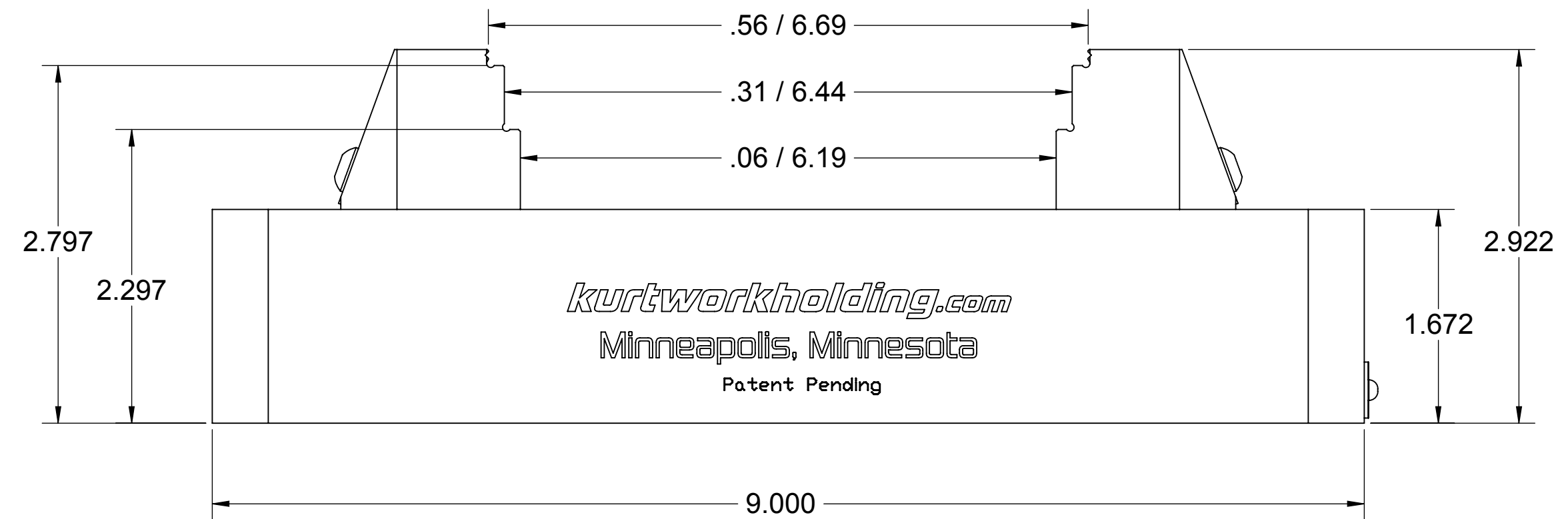
SECTION X-X      CB FOR 1/2 SHCS (2X)



**DOVETAIL JAWS**



**SERRATED JAWS**



NOTES:  
MAX TORQUE 45 FOOT POUNDS

		TOLERANCES UNLESS NOTED INCHES DECIMAL .XX ± .02 ANGLES ± 1° .XXX ± .02 .XXXX ± .005		TOOL NAME -	MODEL OF TOOL -
DESIGNED D. SCHMIDT 7-29-16		TITLE <b>HP460 ASSEMBLY</b>		REV. SIZE D	KURT DWG NO. <b>D21404</b>
CHECKED D. SCHMIDT 7-29-16		REVISION LEVEL A		CUSTOMER HP460	
APPROVED -		DESCRIPTION OR MATERIAL		TOOL NO. -	SCALE 1:1
				CUSTOMER PART NO. <b>HP460</b>	
				SHEET 1 OF 1	