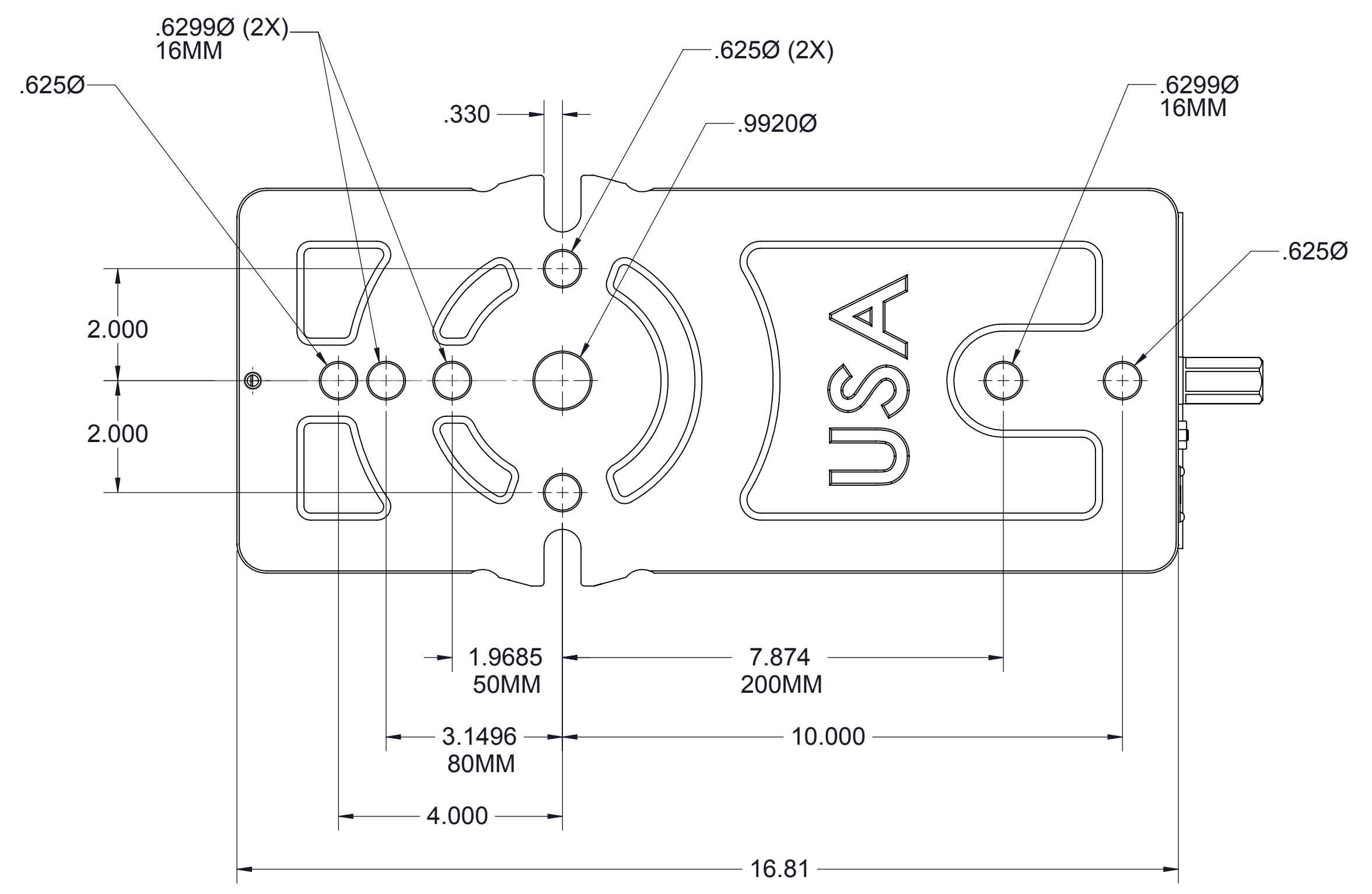
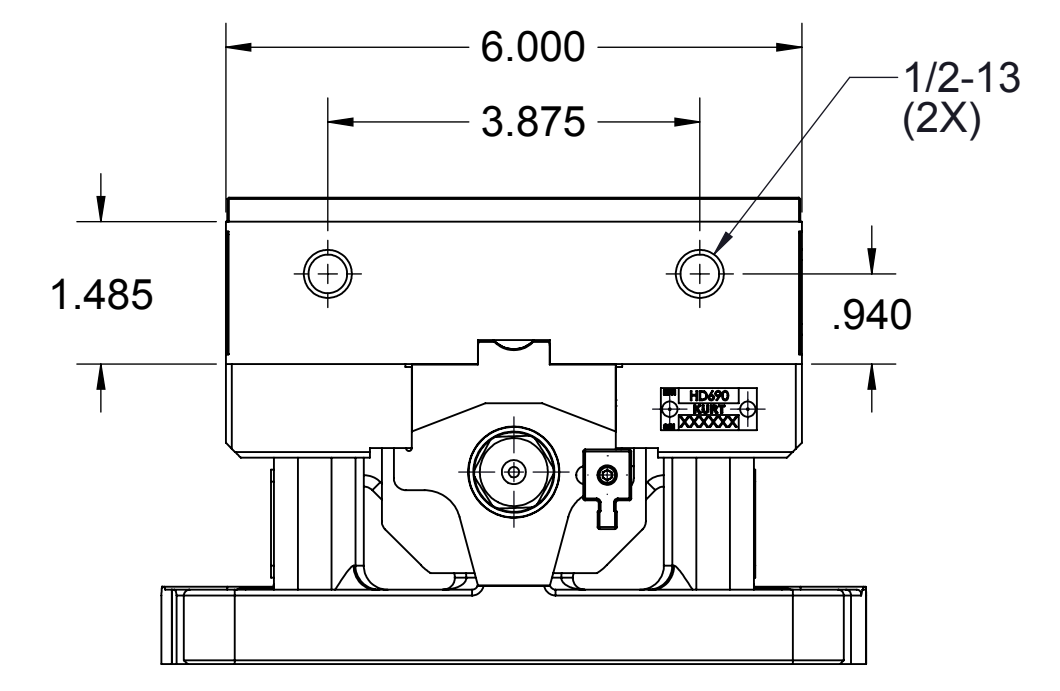
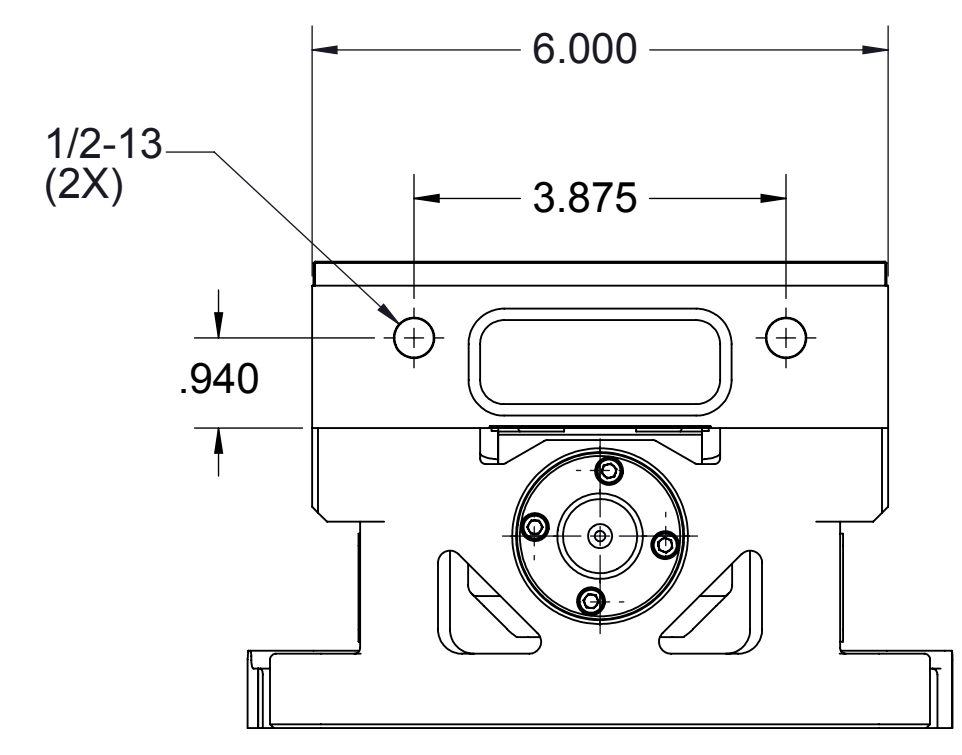
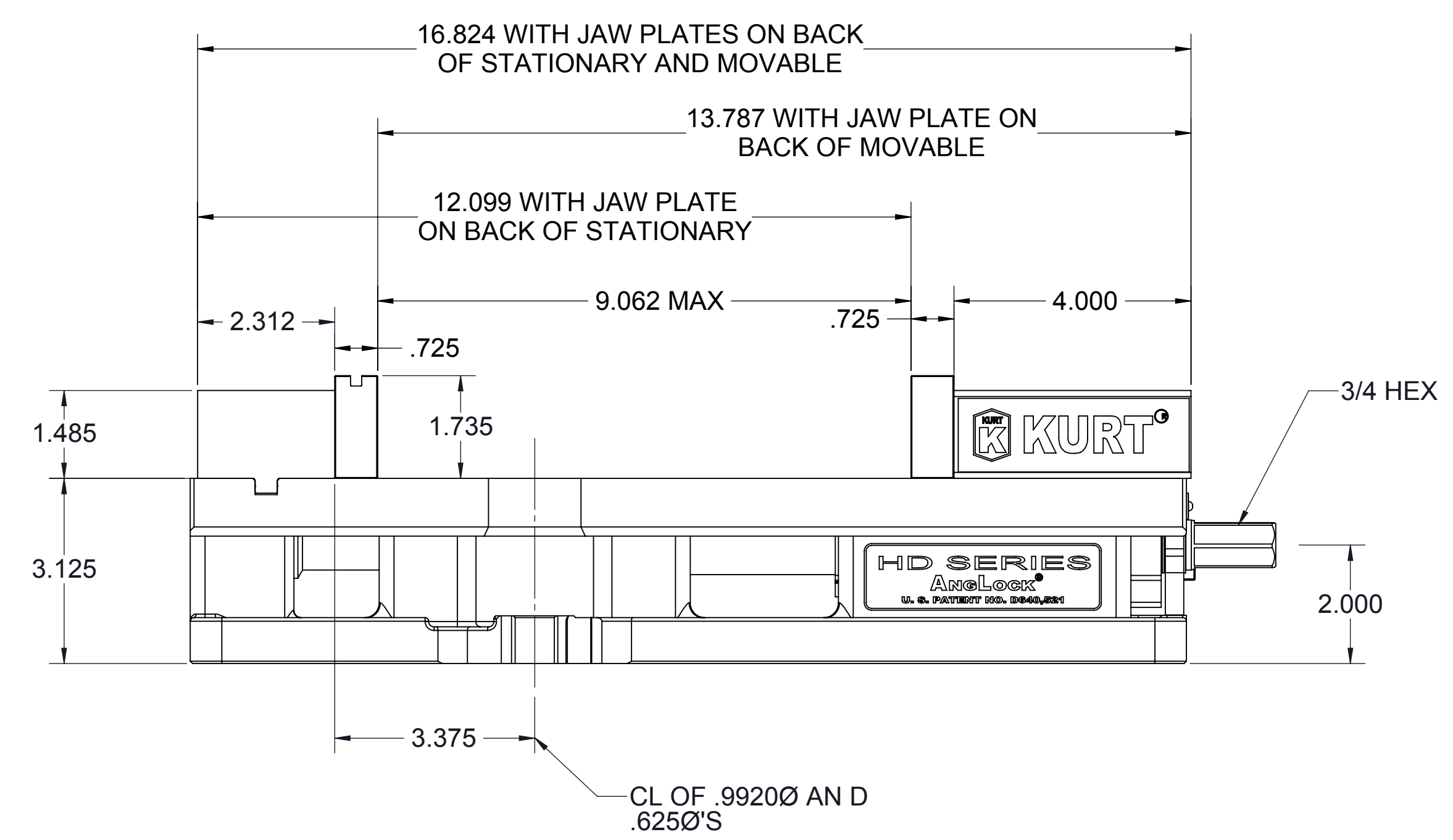
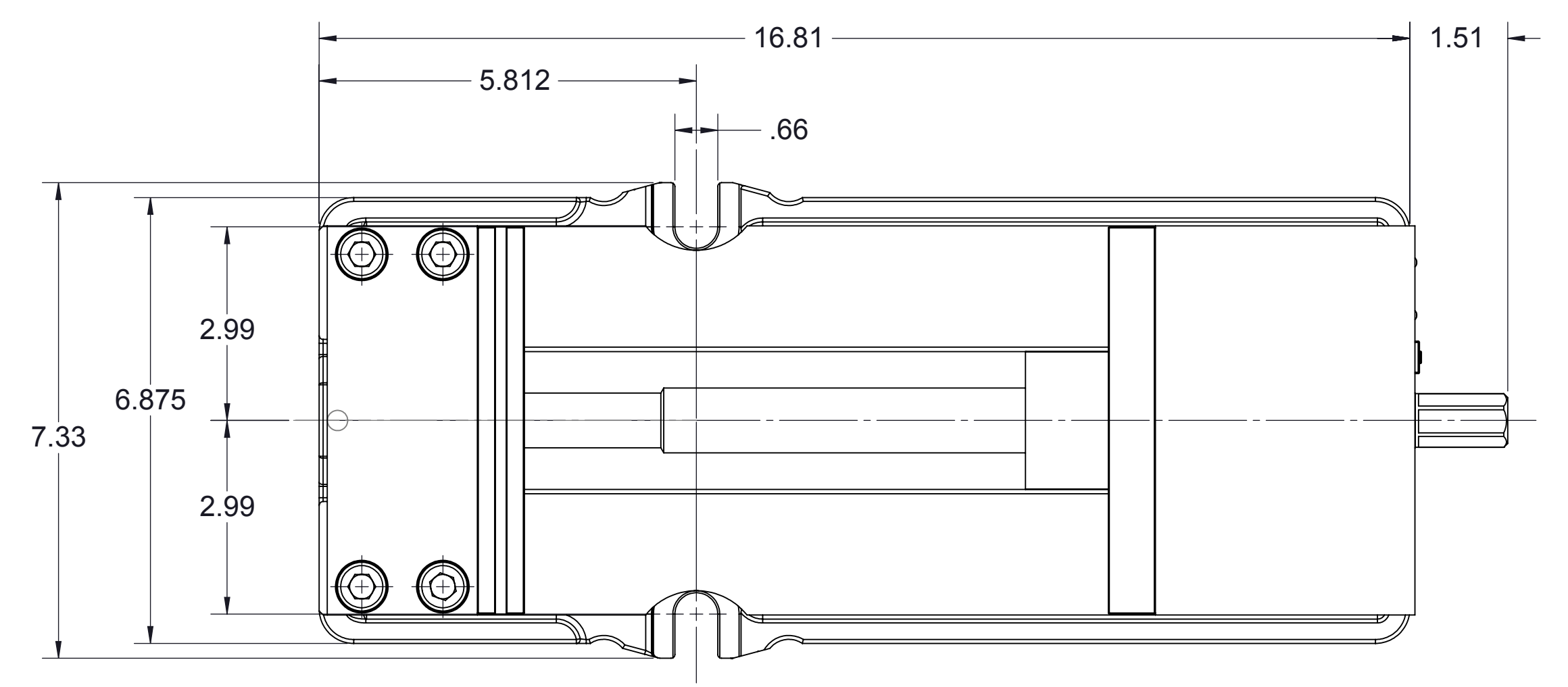


REV	EDN	DESCRIPTION	DATE	BY
A	V3777		11-22-10	DLS
B	V3891	SEE ECO	08-30-12	DLS



CADKEY\WISE\HDM690		TOOL NAME	HD690	MODEL OF TOOL	-
	WD- <small>TOLERANCES UNLESS NOTED INCHES ±.0005 DECIMAL X = .05 XXXX ±.0005 .XXX = .02 ANGLES ± 1° .XXX = .005</small>	TITLE	CATALOG DRAWINGS		
		DESIGNED	D.SCHMIDT	03-01-06	REV. LEVEL
DETAILED	D.SCHMIDT	11-22-10	CUSTOMER	CUSTOMER PART NO. HD690	
CHECKED			TITLE	DESCRIPTION OR MATERIAL	ASSEMBLY
APPROVED			TITLE	SCALE	FULL
					SHEET 1 OF 1