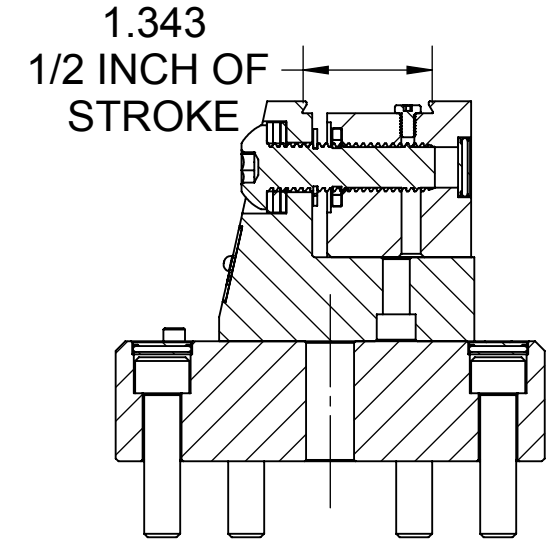
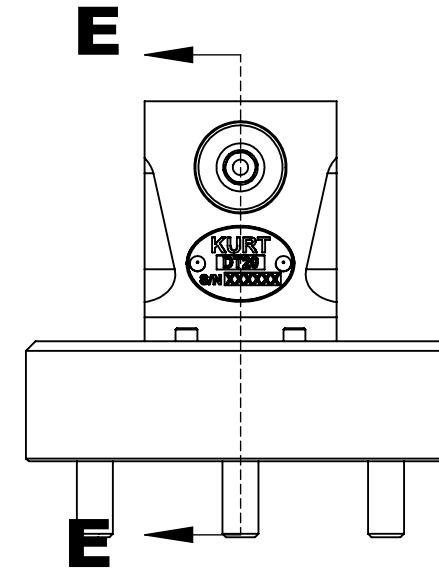
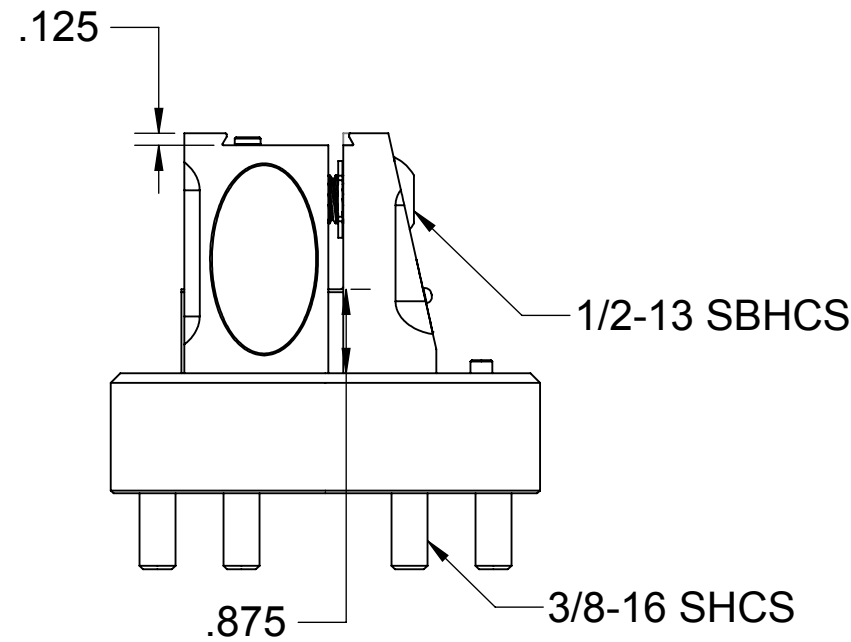
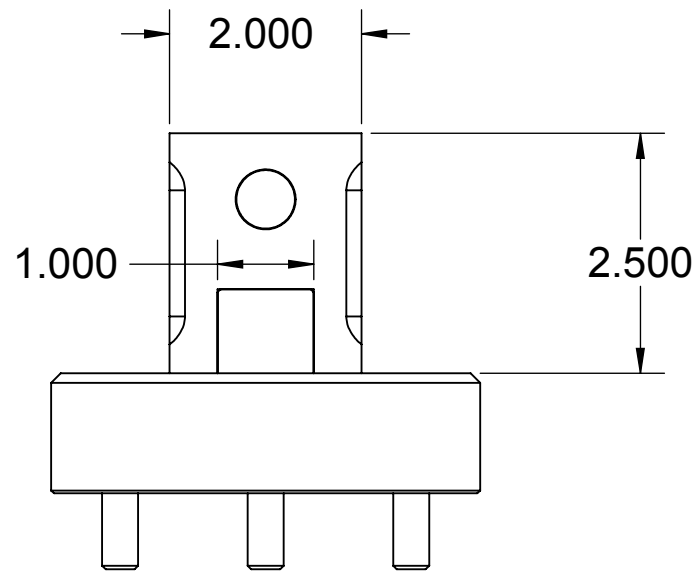
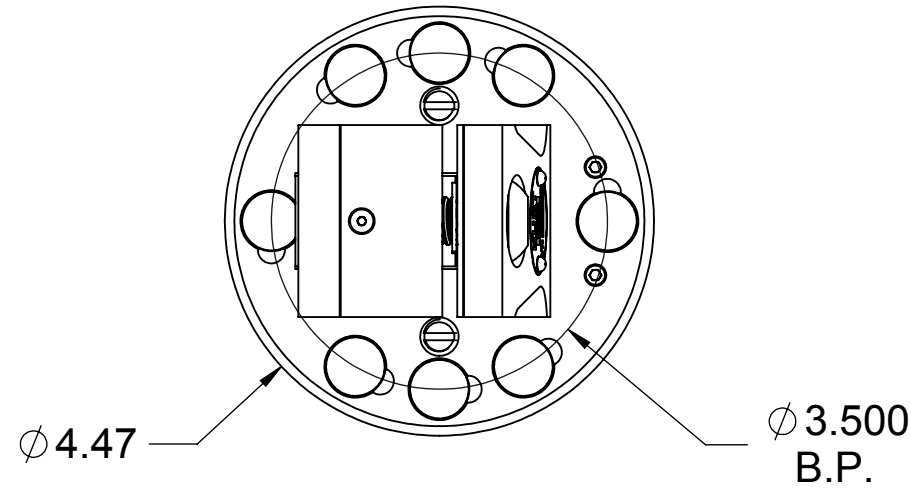
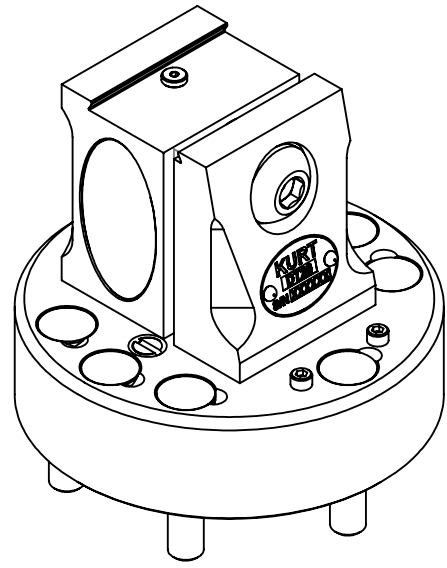
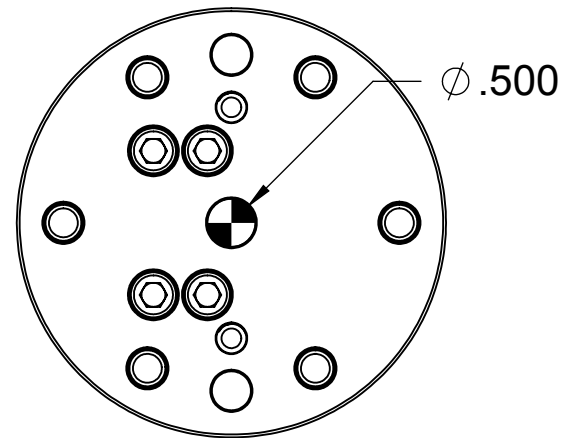


REV	ECD	DESCRIPTION	DATE	BY
A	V3945	RELEASED	11-6-13	DLS
B	V3978	SEE ECD	6-20-14	DLS
C	V3981	SEE ECD	7-01-14	DLS
D	3993	SEE ECD	9-9-14	DLS



SECTION E-E
SCALE 1 : 2



CLAMP FORCE:

- 80 I.P. = 1000 CLAMP FORCE
- 160 I.P. = 2000 CLAMP FORCE
- 240 I.P. = 3000 CLAMP FORCE
- 320 I.P. = 4000 CLAMP FORCE

Q:\Product Drawings-CAD\1Vise\Dovetail Vise\DT20\

	WQ-		TOOL NAME	DT20		MODEL OF TOOL	-	
	TOLERANCES UNLESS NOTED INCHES DECIMAL .X ± .05 .XXXX ± .0005 .XX ± .02 ANGLES ± 1° .XXX ± .005			TITLE	DT20 DOVETAIL VISE CATALOG DWG			
	DESIGNED	D. SCHMIDT	11-6-13	CUSTOMER	DT20			
	DETAILED	D. SCHMIDT	11-6-13	CUSTOMER PART NO.	DT20			
CHECKED			DESCRIPTION OR MATERIAL	SEE DRAWING				
APPROVED			TOOL NO.	-		SCALE	1:1	
							SHEET 1 OF 1	