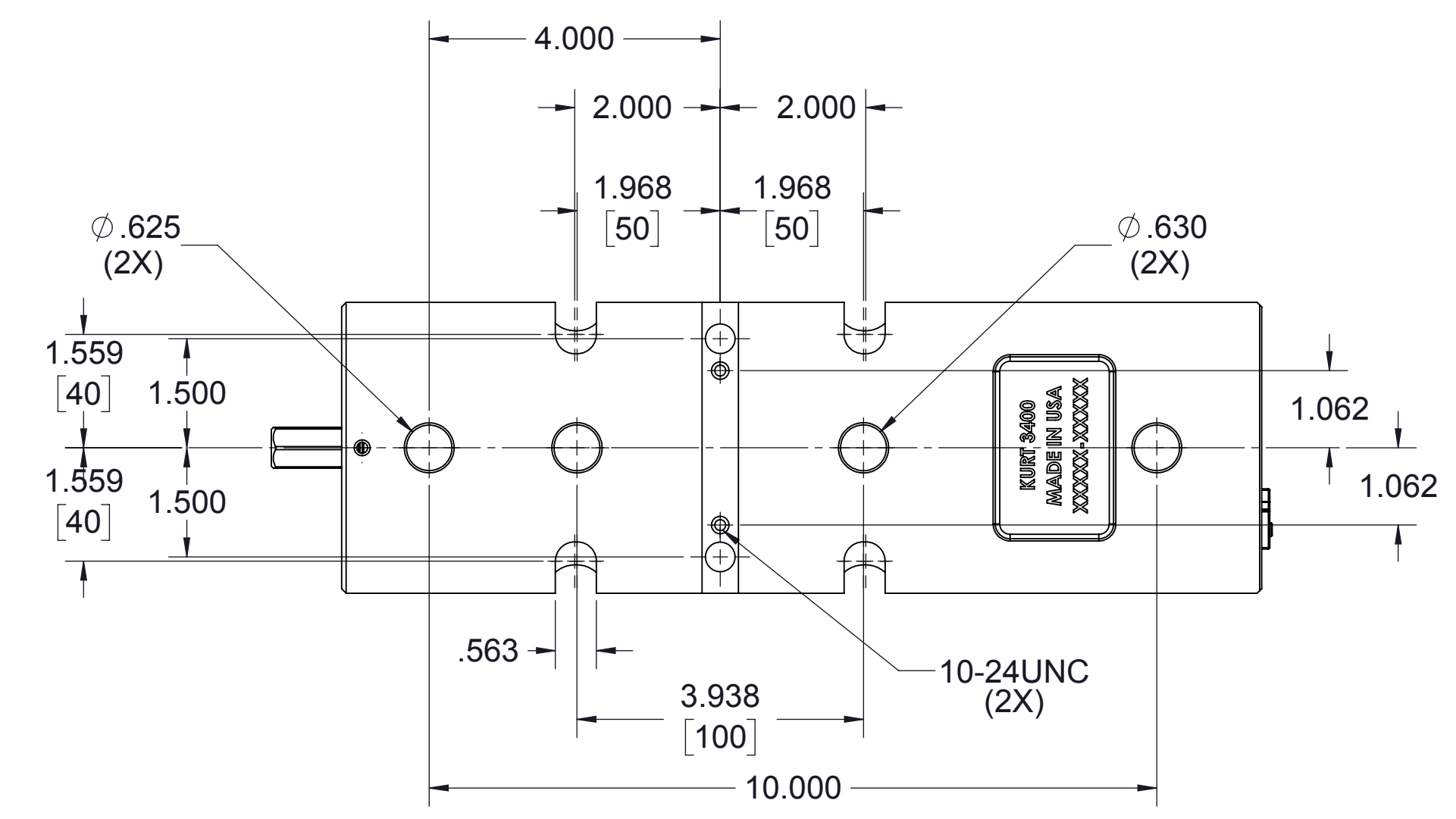
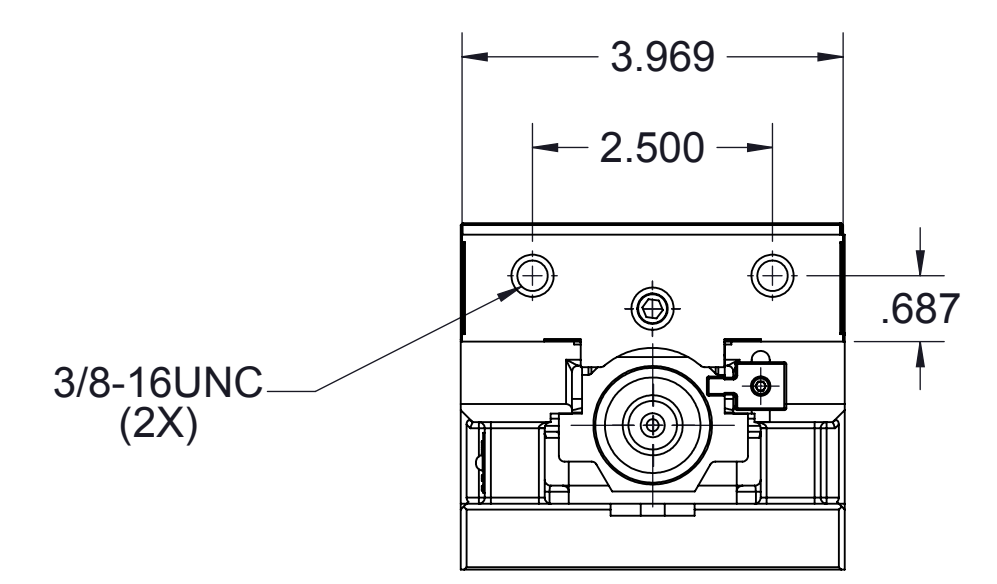
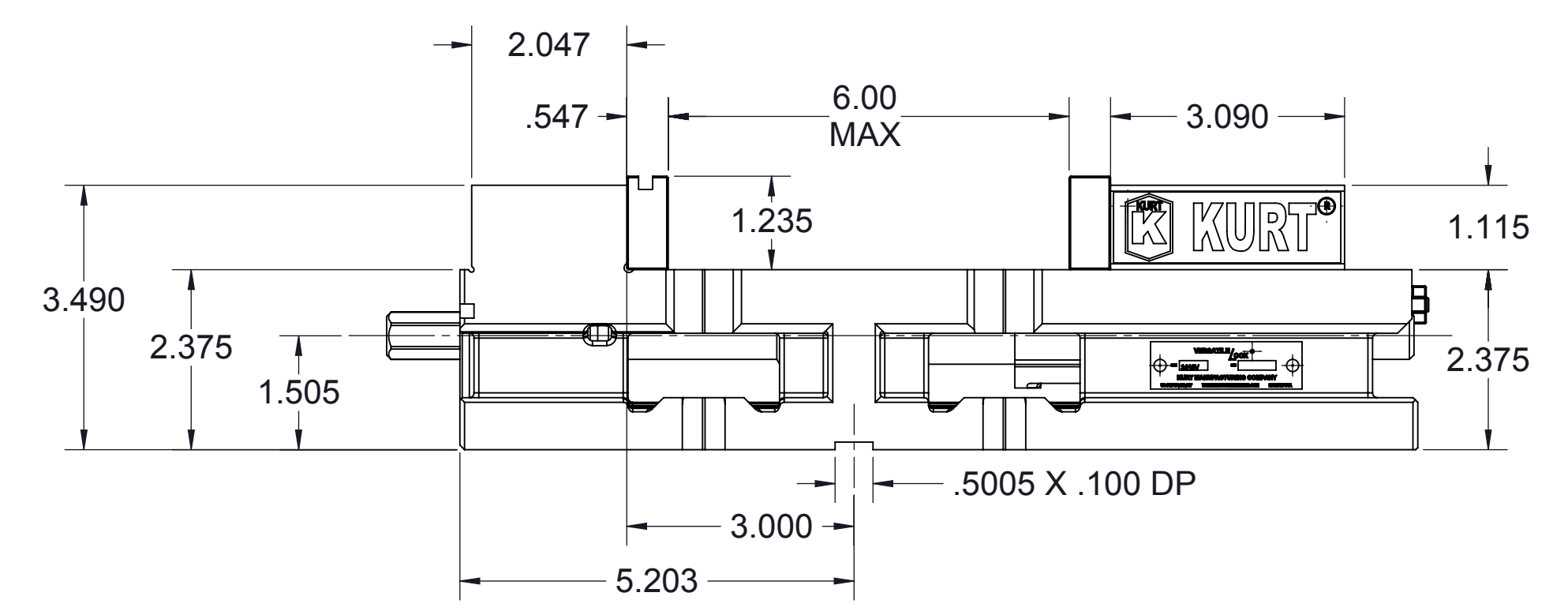
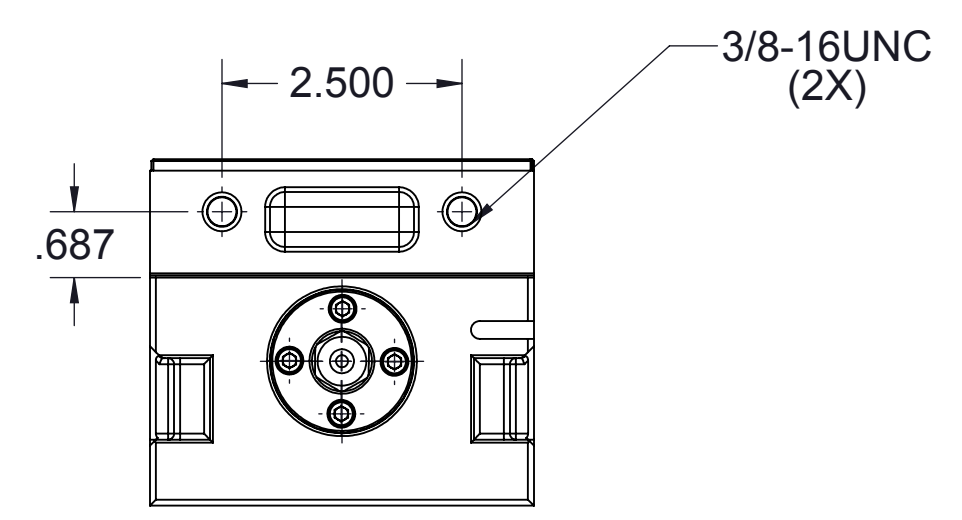
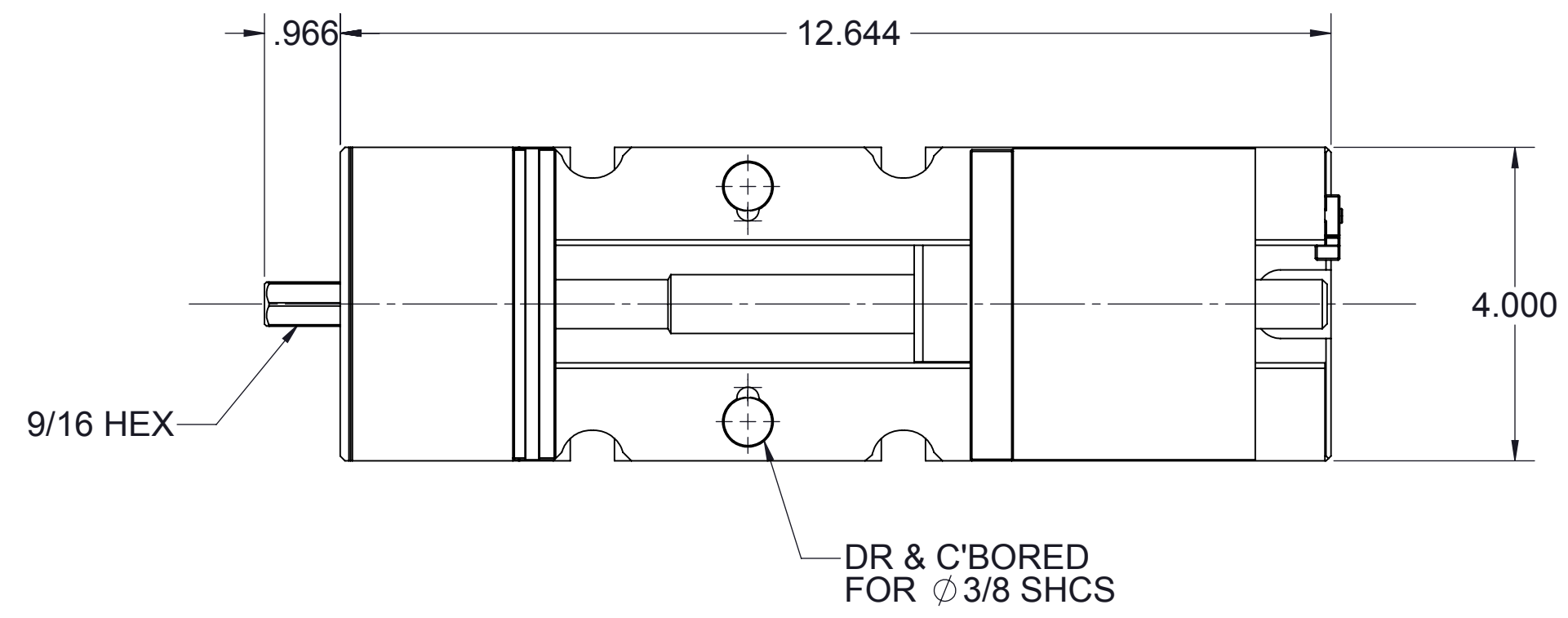


REV	ECO	DESCRIPTION	DATE	BY
A	V3836	RELEASED	12-5-11	DJS
B	V3911	SEE ECO	3/14/13	KLE



D:\Product Drawings-CAD\Vises\3400-Series Vises\3410V\

	TOOL NAME	3410V	MODEL OF TOOL	
	TITLE	3410V CAT. DWG.	REV. SIZE	D
	TOLERANCES UNLESS NOTED INCHES	DECIMAL .XX ± .02	ANGLES ± 1°	
	FRAC. .XXX ± .005	XXX ± .005		
DESIGNED	D. SZUMOWSKI	12-5-11	REVISION LEVEL	B
DETAILED	D. SZUMOWSKI	12-5-11	CUSTOMER	3410V
CHECKED			CUSTOMER PART NO.	-
APPROVED			TITLE	3410V CAT. DWG.
			DESCRIPTION OR MATERIAL	
			TOOL NO.	-
			SCALE	1:2
			SHEET	2 OF 4