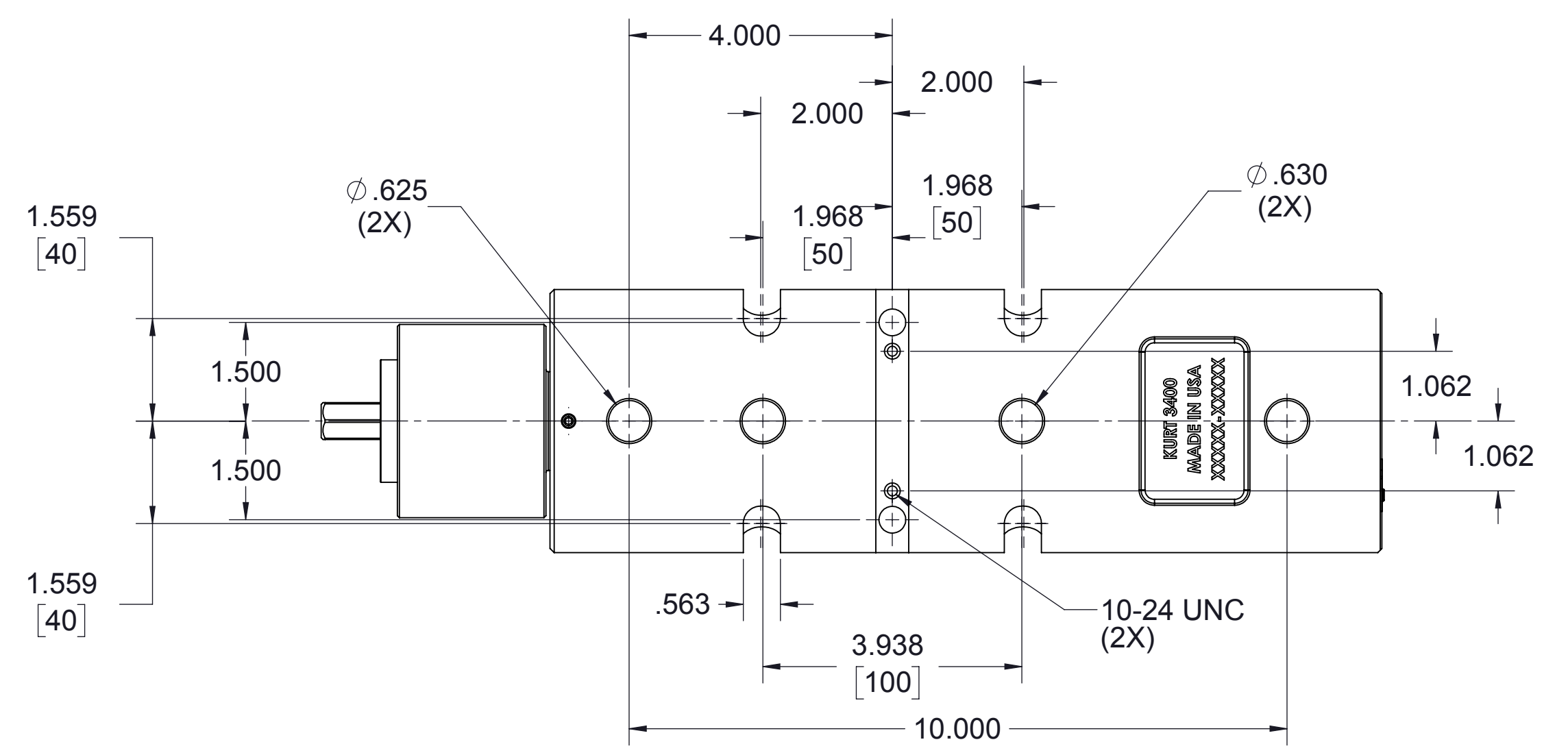
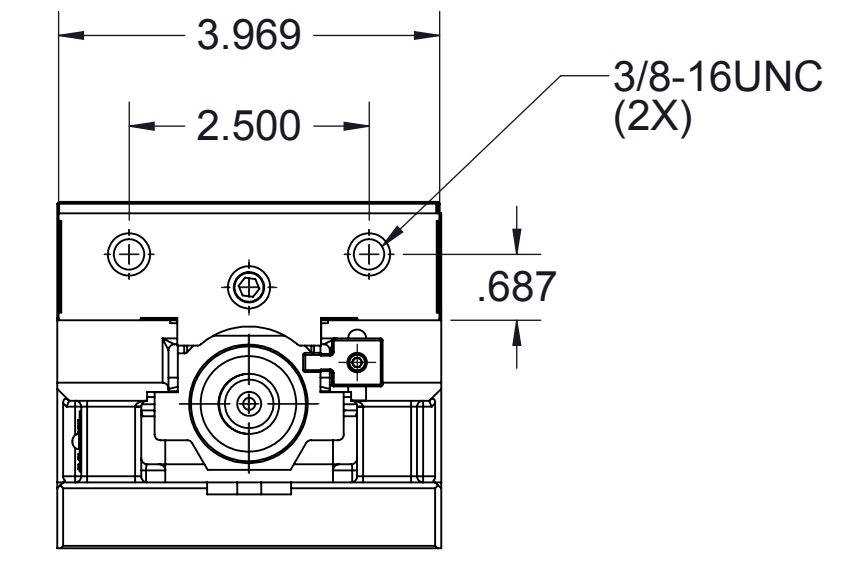
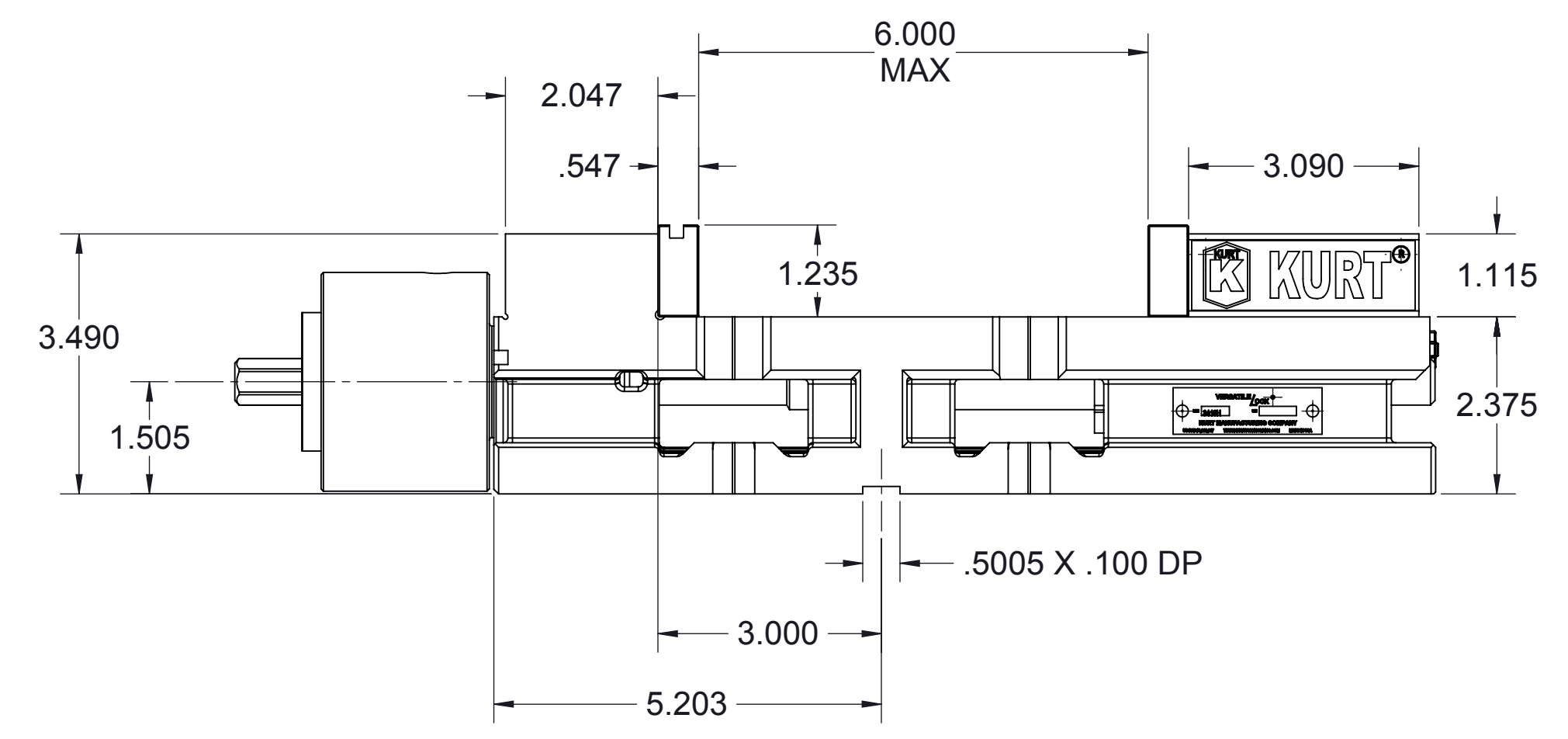
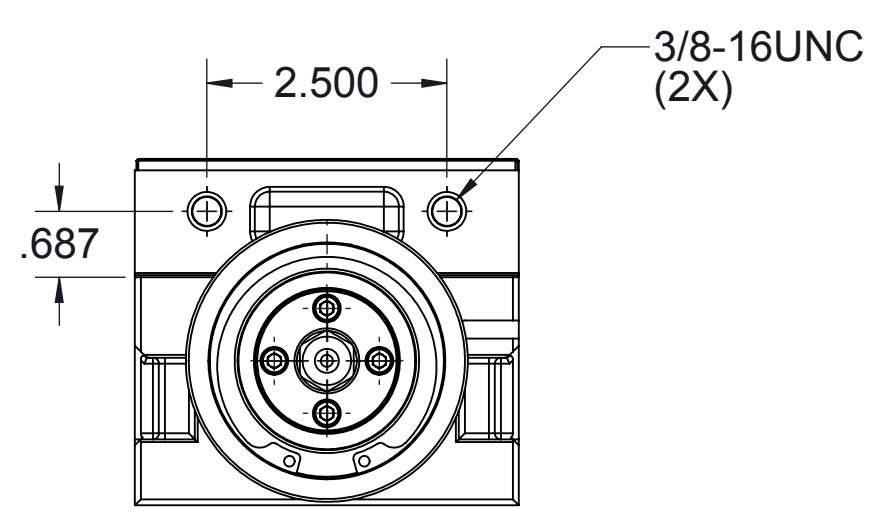
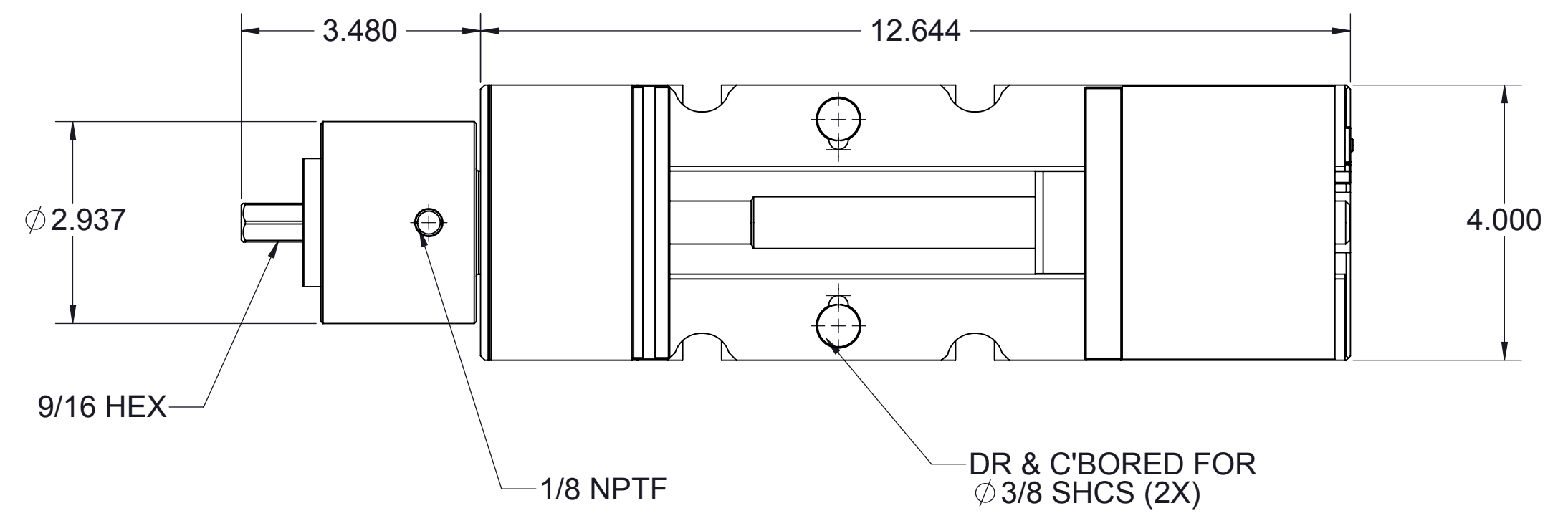


REV	ECD	DESCRIPTION	DATE	BY
A	V3851	RELEASED	2-2-12	DJS
B	V3911	SEE ECD	3/14/13	KLE



D:\Product Drawings-CAD\Vises\3400-Series Vises\3410H

	<b>WD-</b> <small>TOLERANCES UNLESS NOTED INCHES</small> <small>DECIMAL .XX ± .02 .XXX ± .005</small> <small>ANGLES ± 1°</small>	TOOL NAME 4" HYD. REV. VERSALOCK VISE MODEL OF TOOL	REV. NO. D TITLE 3410H ASSEMBLY REVISION LEVEL B
	DESIGNED D. SZUMOWSKI 11-15-11 CHECKED D. SZUMOWSKI 2-1-12 APPROVED	CUSTOMER 3410H CUSTOMER PART NO. 3410H DESCRIPTION OR MATERIAL	TOOL NO. - SCALE 1:2 SHEET 2 OF 4