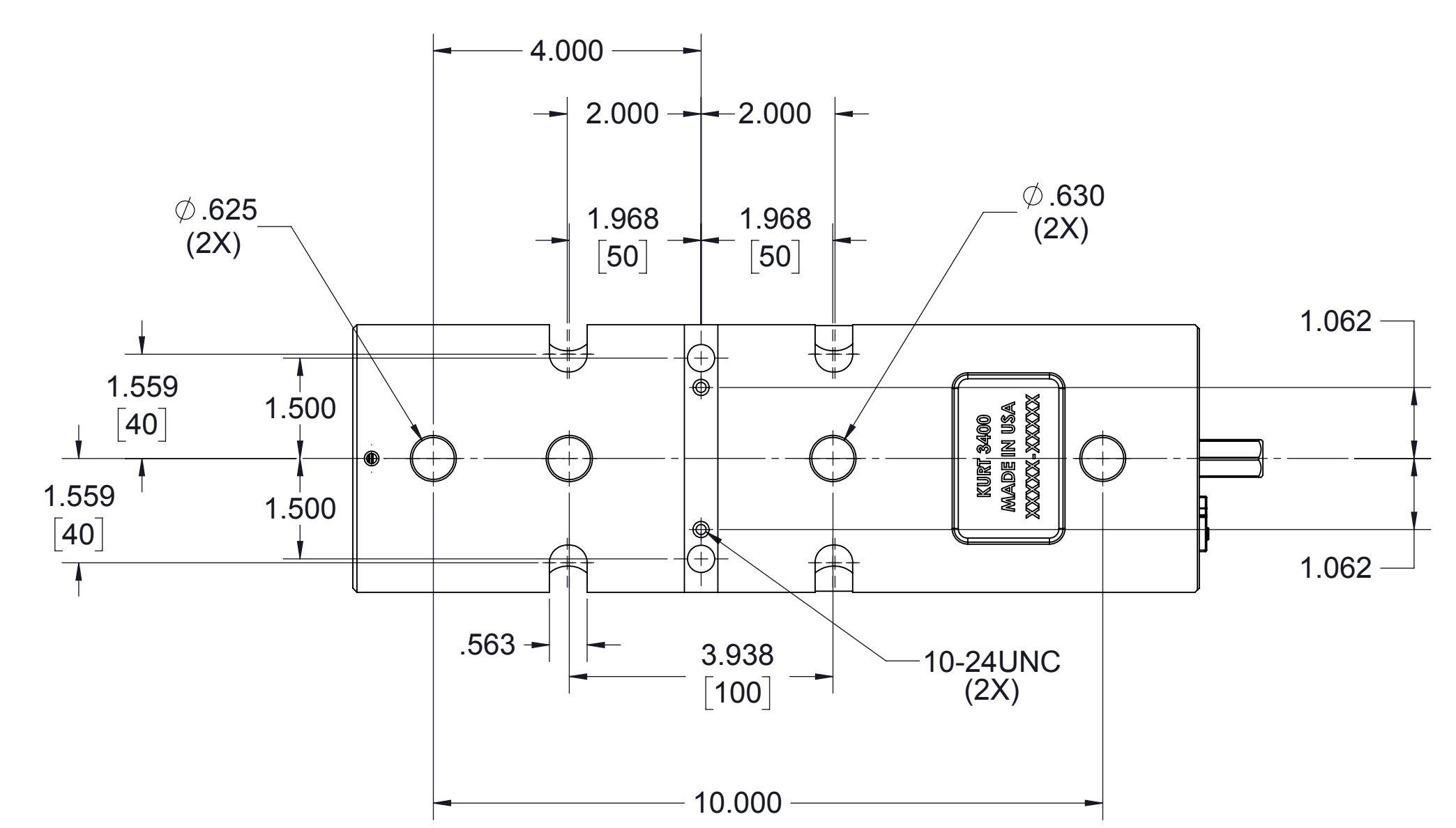
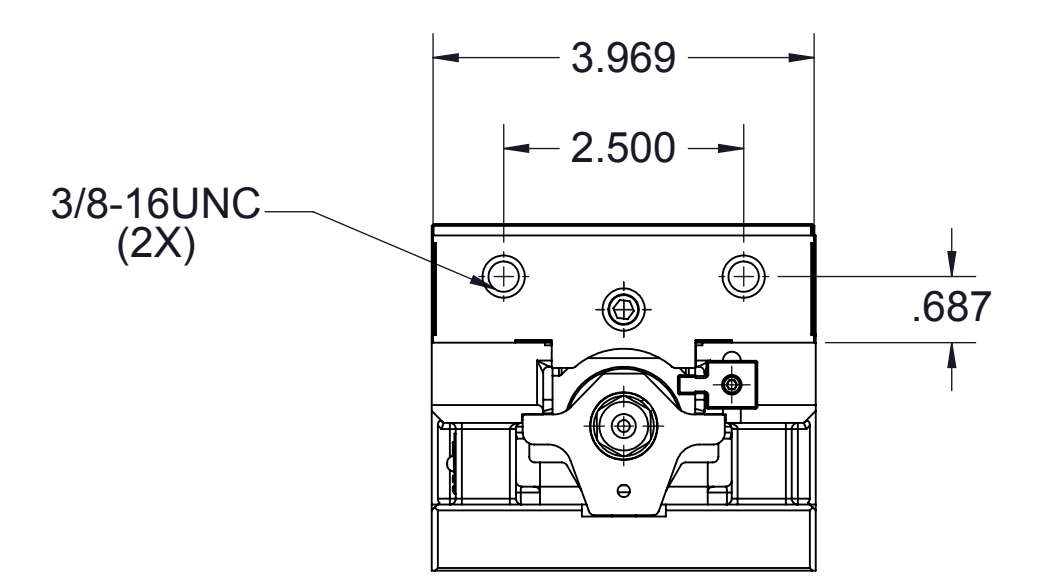
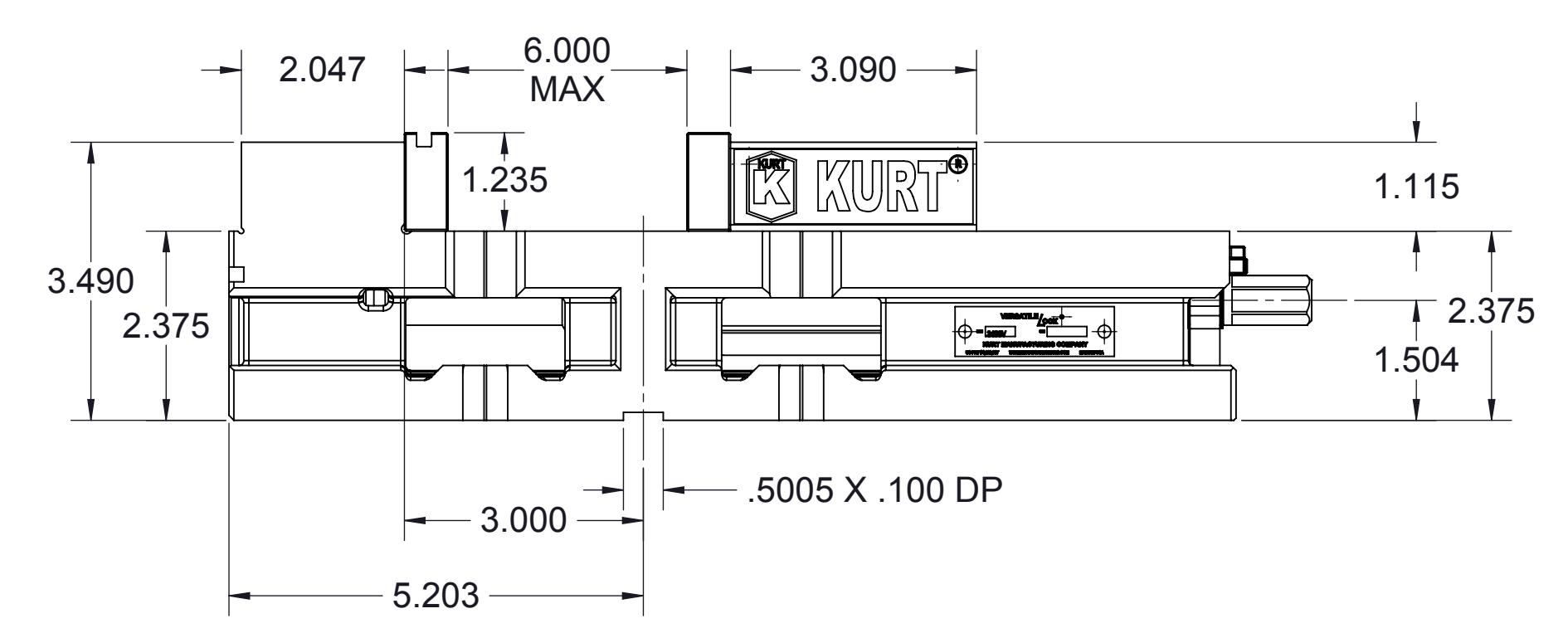
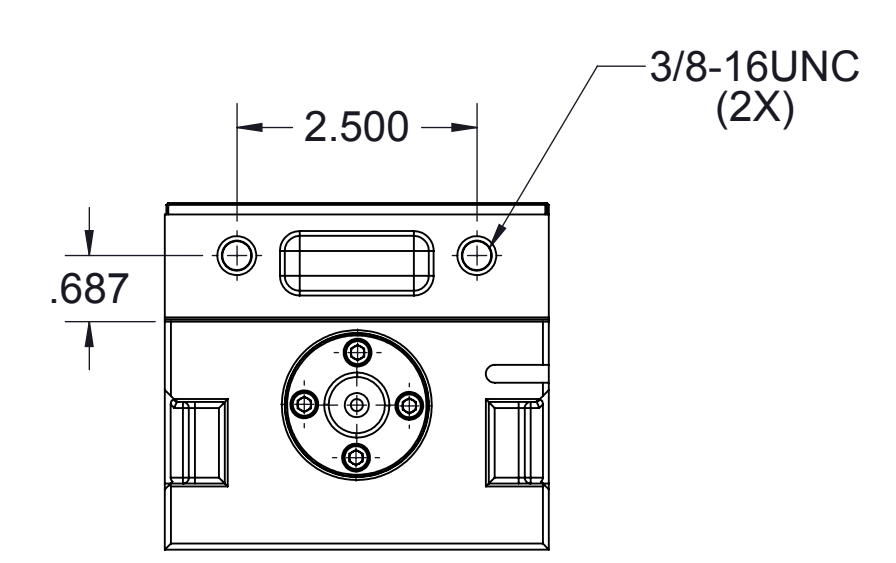
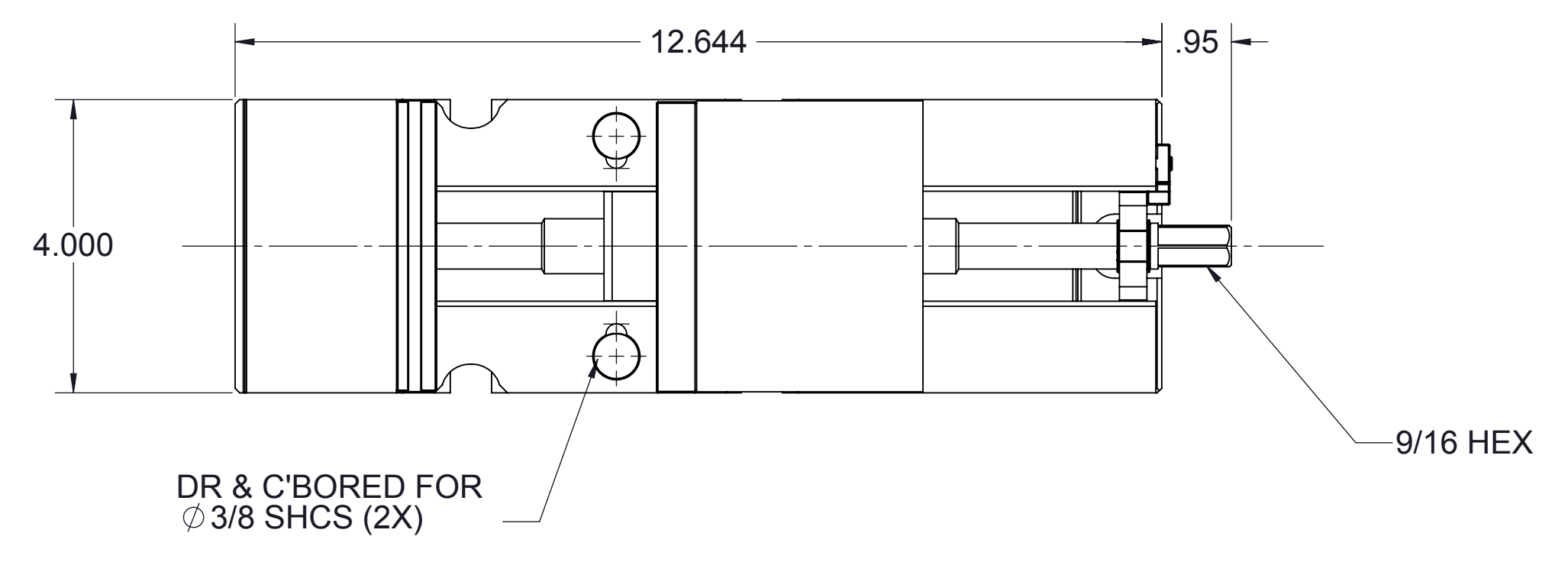


REV	ECD	DESCRIPTION	DATE	BY
A	V3836	RELEASED	12-5-11	DJS
B	V3911	SEE ECD	3-15-13	KLE



D:\Product Drawings-CAD\Vise\3400-Series Vises\3400V\

	WD- <small>TOLERANCES UNLESS NOTED INCHES DECIMAL .XX ± .02 ANGLES ± 1°</small>	TOOL NAME VERSA LOCK 4" VISE	MODEL OF TOOL -	
	DESIGNED D. SZUMOWSKI 12-5-11	TITLE CATALOG DRAWINGS	REV. NO. D	REV. LEVEL B
	CHECKED D. SZUMOWSKI 12-5-11	DESCRIPTION OR MATERIAL -	CUSTOMER 3400V	SCALE 1:2
	APPROVED -	SHEET 2 OF 4	CUSTOMER PART NO. 3400V	SHEET 2 OF 4